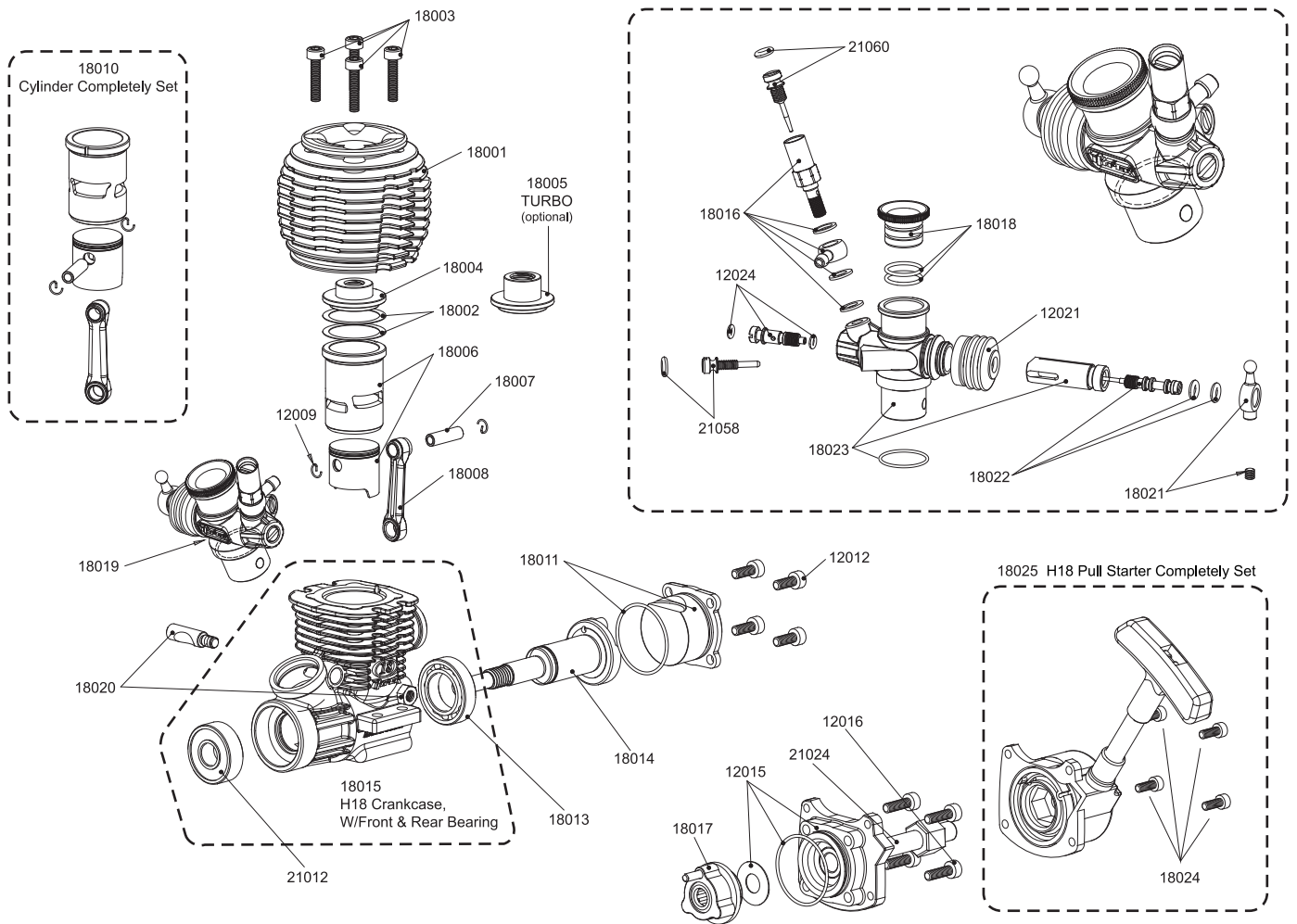


Hyper18

HIGH POWERFUL ENGINE

Nitro Engine Exploded View

Professional Best



HYPER 18 ENGINE PARTS LIST

ITEM NO.	DESCRIPTION	ITEM NO.	DESCRIPTION	ITEM NO.	DESCRIPTION
18001	H18 Cylinder Head	18013	H18 Rear Ball Bearing 12 x 21 x 5mm	18025	H18 Pull Starter Completely Set
18002	H18 Head Gasket	18014	H18 Crankshaft	12009	"G" Clips, 5 Pcs.
18003	H18 Cap Screws 3 x 12mm for Head	18015	H18 Crankcase, W/Front & Rear Bearing	12012	Cap Screws 3 x 6mm for Rear Back Cover
18004	H18 Alum Burn Room - Standard	18016	H18 Main Needle Hub Valve Set	12015	Pull Rear Cover & O-ring
18005	H18 Alum Burn Room - Turbo (Optional)	18017	H18 Turbo Fan & One Way Bearing	12016	Cap Screws 3 x 10mm for Pull Rear Cover
18006	H18 Cylinder Sleeve & Piston	18018	H18 Carburetor Restrictor - Alum body	12018	Silicone Manifold Seal
18007	H18 Piston Pin & "G" Clips	18019	H18 Carburetor Complete Set	12021	Throttle Silicone Cover
18008	H18 Connecting Rod	18020	H18 Carburetor Bolt Setting Pin	12024	Supply Fuel Nozzle & o-ring
18009	H18 Screws set	18021	H18 Throttle Rod Unit	21012	Front Ball Bearing 7 x 19 x 6mm
18010	H18 Cylinder Completely Set	18022	H18 Sub Throttle Needle Valve	21024	Hex Axle
18011	H18 Rear Back Cover & O-ring	18023	H18 Carburetor Body / Throttle	21058	Throttle Adjustable Screws
18012	H18 O-ring Completely set	18024	Cap Screws 2.6 x 7mm for Pull Starter	21060	Main Needle Valve & O-ring

HIGH QUALITY RADIO CONTROL MODEL

Hobao Racing

HO BAO ENTERPRISING CO., LTD.

No.32, Lane 112, Szu Yuan Road, Hsin Chuang City, Taipei County, Taiwan, R.O.C.

TEL: 886-2-2996-2229 FAX: 886-2-29968213

E-MAIL: hobao@hobao.com.tw